



HIME AG

MASCHINENBAU

YOUR PARTNER FOR TRANSFER
MACHINE TECHNOLOGY

CONTENT

HME AG

History

Competences

Machine overhaul

Machining units

Proposal machine layout

Machine project

Sample parts

Why HME AG

YOUR PARTNER FOR TRANSFER MACHINE TECHNOLOGY

The HME AG not only build up your customized transfer machine.

Thanks to years of experience, motivated employees and well-founded technical know-how, the HME AG is unrivaled in the conversion and general overhaul of rotary indexing machines.

HISTORY

Founded in 2001 as a 2-man trading company

Based in Einsiedeln, Switzerland

35 employees

Over 200 factory-revised machines installed worldwide

COMPETENCES

ALL SERVICES AROUND THE
ROTARY TRANSFER MACHINE

Machines overhaul with full manufacturer guarantee and CE mark

1 : 1 exchange of machines

Revisions of all machine parts

Spare Parts

Special constructions

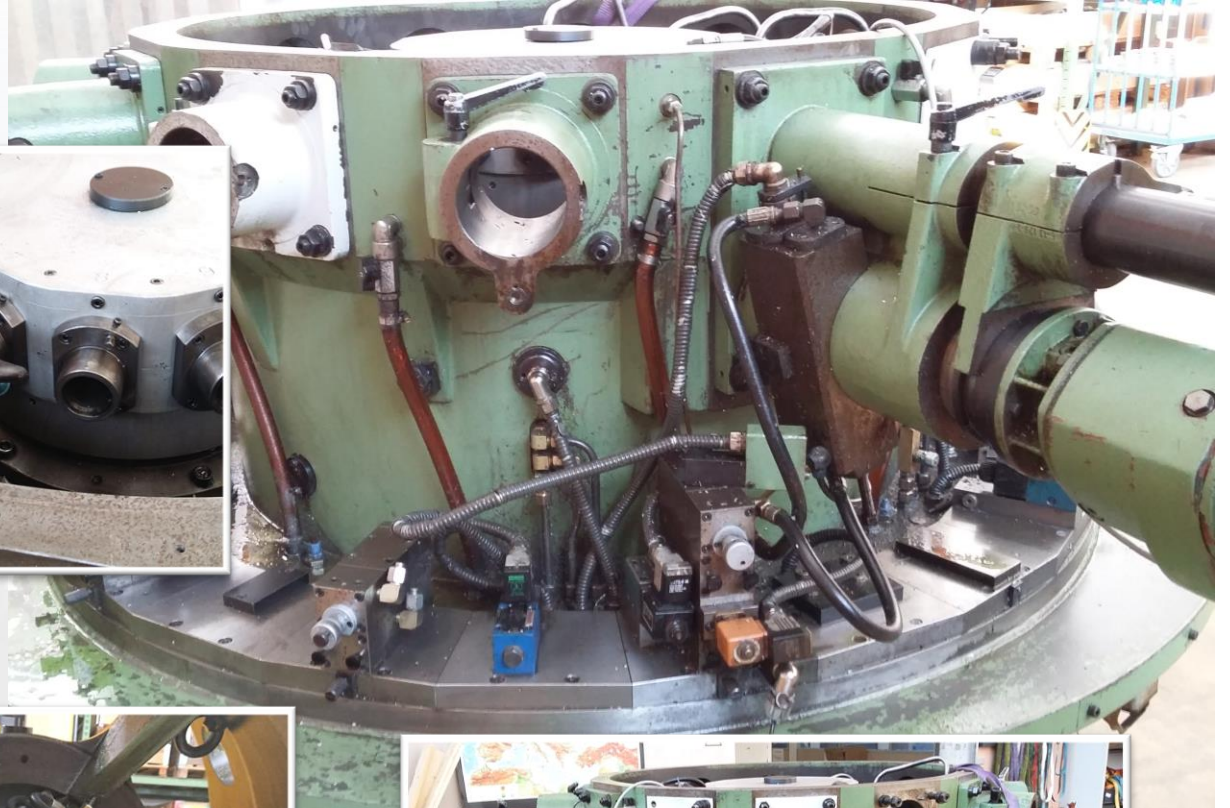
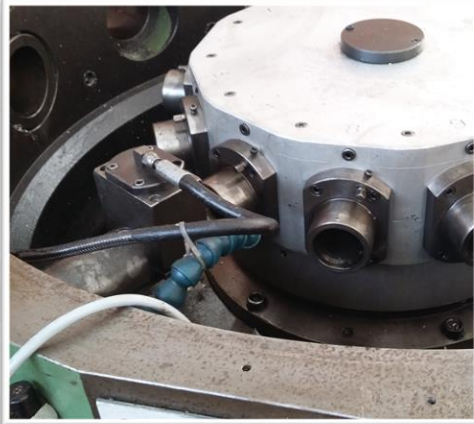
Development of manufacturing processes

Support for process integration on the machine

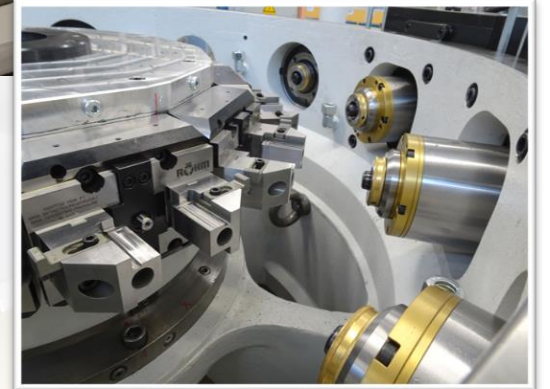
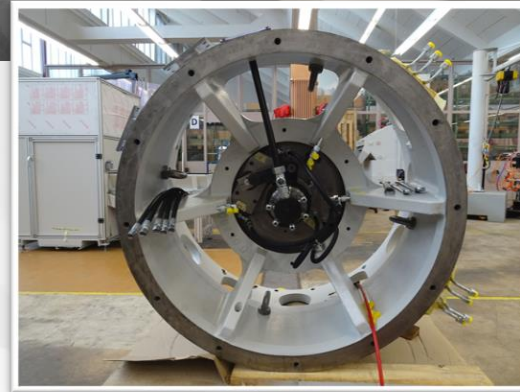
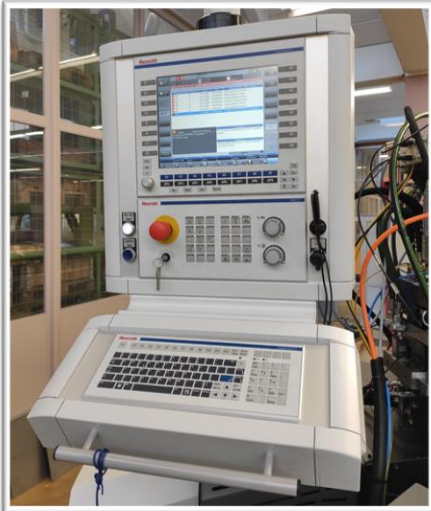
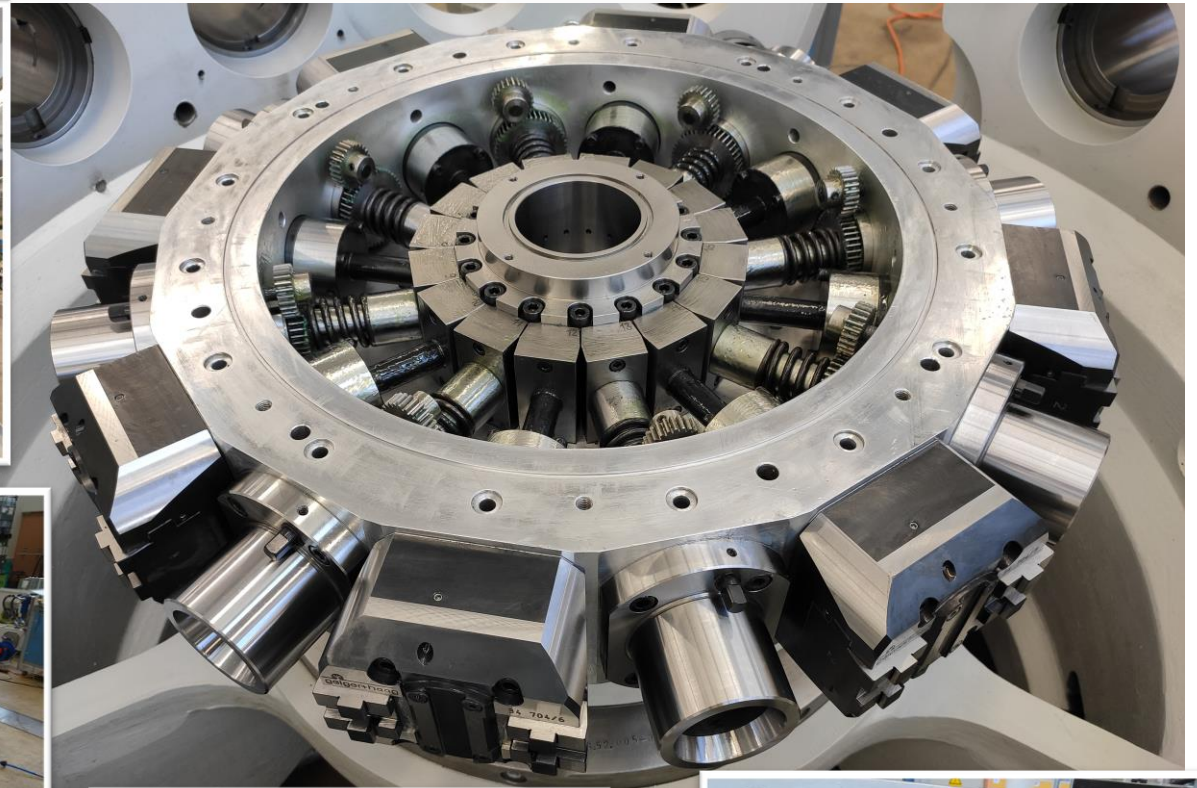
Purchase and sale of used machines

MACHINE OVERHAUL

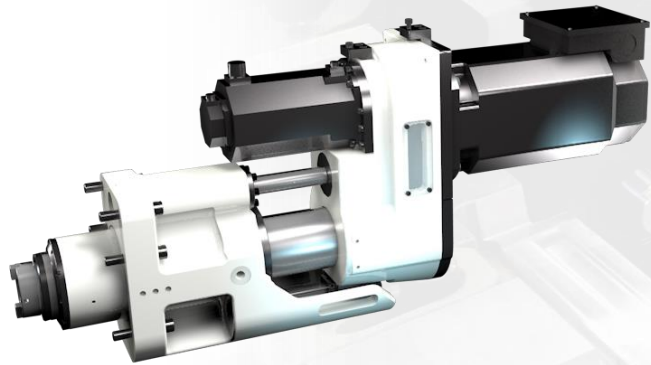
- Complete dismantling of the machine
- Cleaning, sandblast and repaint
- Reworking of machine frame and unit carrier
- Replace the entire hydraulic and electric installation
- Overhaul of rotary table, machining units and hydraulic valves
- Check the machine geometry
- Integration of the latest machine control generation
- All overhauls meet the CE guidelines



MACHINE OVERHAUL



MACHINING UNITS



Control system

- Mechanically or CNC controlled



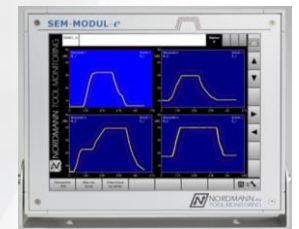
Tool interfaces

- HSK, PCM, spindle nose



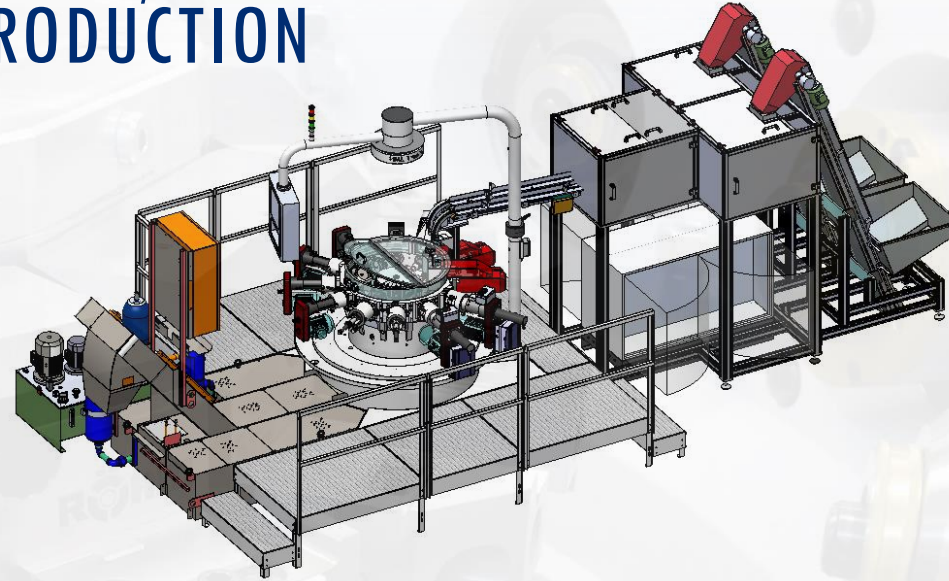
Options

- Tool monitoring via power or with probe
- In-process measuring
- Tool internal cooling
- End position monitoring
- Frequency controlled drives
- Servo drives



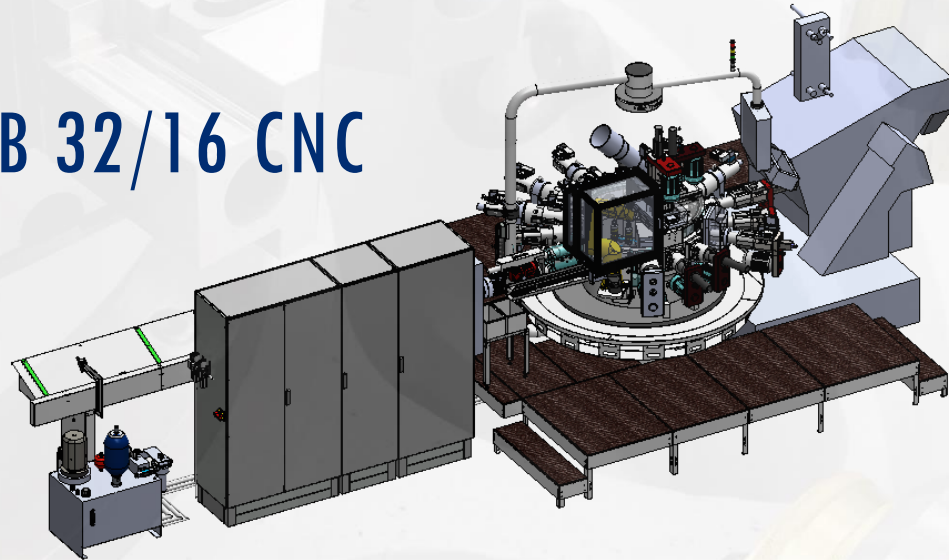
PROPOSAL MACHINE LAYOUT

HW 25/12 DOUBLE- PRODUCTION



- Double production, possibility of production of identical or different workpieces in the same cycle
- 2x Bunker with elevator
- 2x Belade- und Markierstation

HB 32/16 CNC



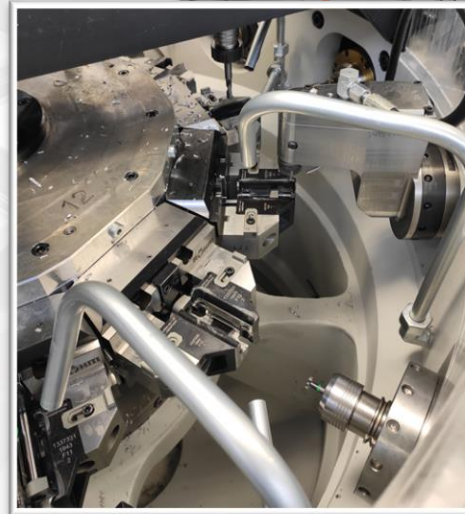
- Bar feeder, 4m
- 6-axis robot for transferring and unloading the workpieces
- Coolant system with vacuum rotating filter, high-pressure pump for central coolant supply

MACHINE PROJECT



Hydromat HB 45/12 CNC

- Bar feeder 6m, for profil material
- 8x CNC-4410 3-Axis CNC milling unit
- 3x CNC-3608 3-Axis CNC milling unit
- 2x Drilling/turning unit, HSK 40
- 1x Inverting unit
- 1x Saw off unit for saw blade $\varnothing 250$
- 12x 2-jaws-chuck
- Coolant system with vacuum rotating filter, high-pressure pump for central coolant supply



SAMPLE PARTS





WHY HME AG

The rotary transfer machine as a passion

Flat structures

Fast reaction time

Great know-how and experience due to long-term employees

Own design and manufacturing for customized solutions

All revisions are carried out in-house

HME AG Maschinenbau

Allmeindstrasse 10

8840 Einsiedeln, Switzerland

Phone: +41 (0) 55 412 58 60

Mail: sales@hmeag.ch

www.hmeag.ch

